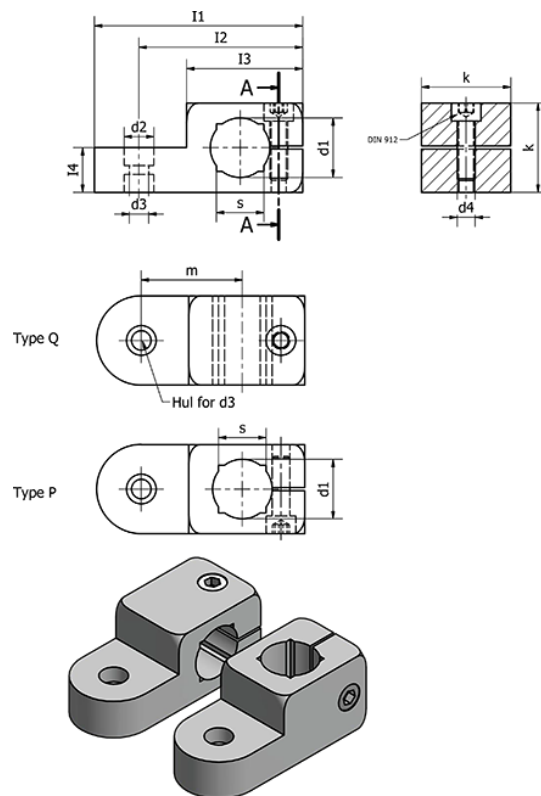


Article number: 20482B816QMT
 Description: E+G Swivel clamp
 GN 482-B8-16-Q-MT

Measures



	= -	l1	= 40
	= -	l3	= 32
Clamping kit for d3 = GN 511.1-M4-16-S/K		l4	= 8
Clamping kit for d4 = GN 511-M4-16		k	= 16
d1	= 8	m	= 18.5
d2	= 7	s	= -
d3	= 4.5	Weight (g)	= 18
d4	= M4		